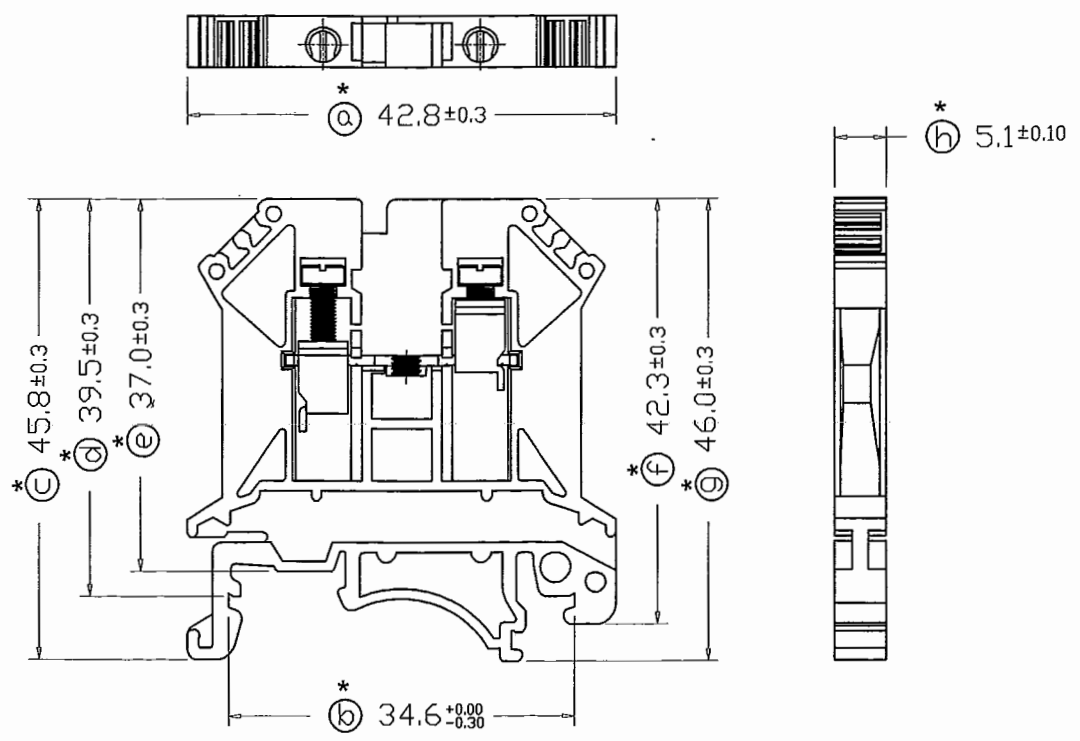


CDU2.5N-ESZ

FAI® US RoHS
Compliant

E : Color(Insulating body)
2.5N : Standard
CDU : DIN Rail Type



Rated voltage 600V
 Rated current 20A
 Solid wire (AWG) 12-28
 Stranded wire (AWG) 12-28
 Insulating withstand voltage 6KV
 Torque (Lb-in) 5
 Screw M2.6
 Wire strip length 6mm
 Mounting Rail TS35x7.5/TS35x15

文件管制
 MAR 04 2013
 文管中心

CONFIRMED & ACCEPTED BY

DECA SwitchLab INC.

	Material	Plating/Finish	Remark
1	Insulating body PA66 (UL94 V-0)		Gray
2	Screw steel M2.6	Zinc plated	
3	Terminal Phosphor bronze	Tin plated	
4	Cage clamp Steel	Zinc plated	

PART NO.	CDU2.5N-ESZ	VERSION	A	CONFIRMED BY	<i>[Signature]</i>
SHEET OF	1/1	METRIC	MM	DRAWN BY	<i>Cochy</i>
		DATE	2013/03/04	GENERAL MANAGER	<i>[Signature]</i>